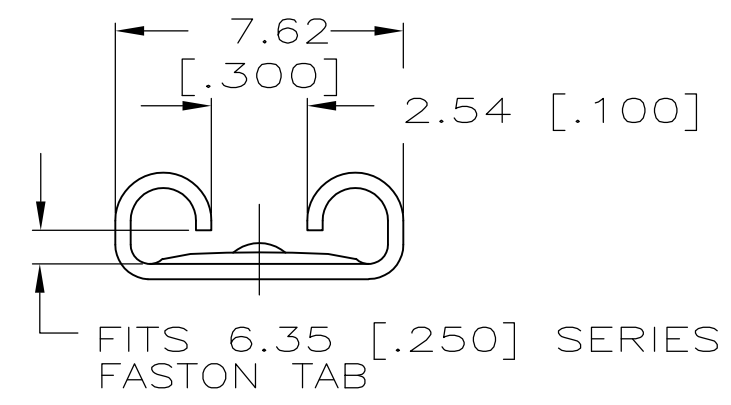
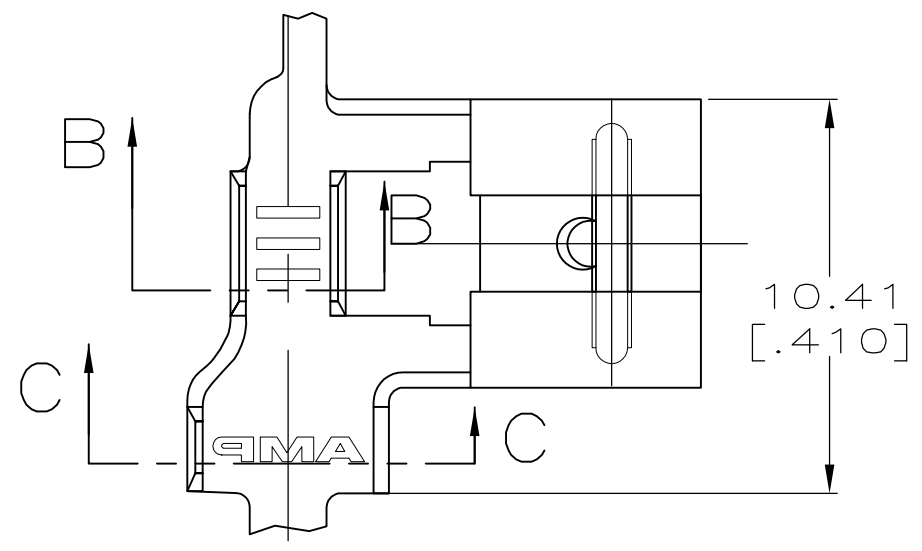


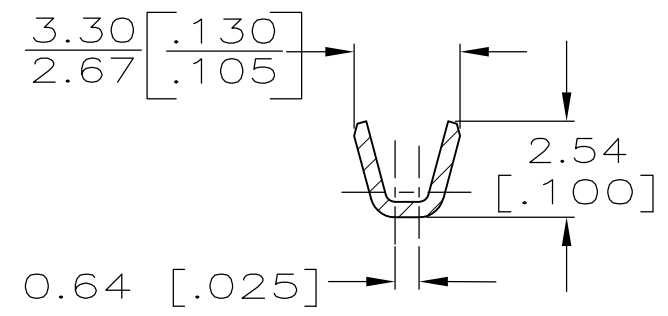
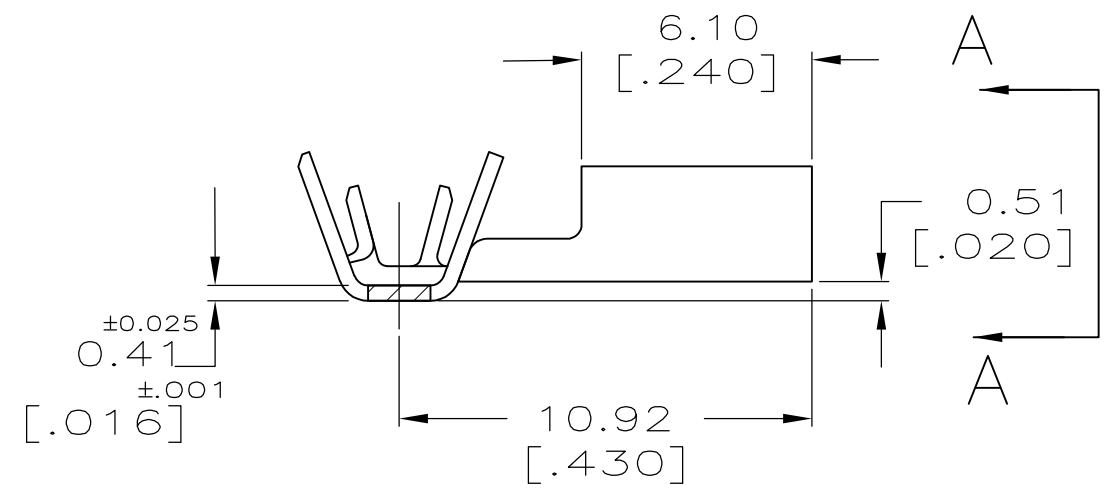
THIS DRAWING IS UNPUBLISHED. RELEASED FOR PUBLICATION
 © COPYRIGHT - By - ALL RIGHTS RESERVED.

LOC	DIST	REVISIONS					
AF	50	P	LTR	DESCRIPTION	DATE	DWN	APVD
		G		REVISED PER ECR-12-013459	27NOV2012	KH	PD

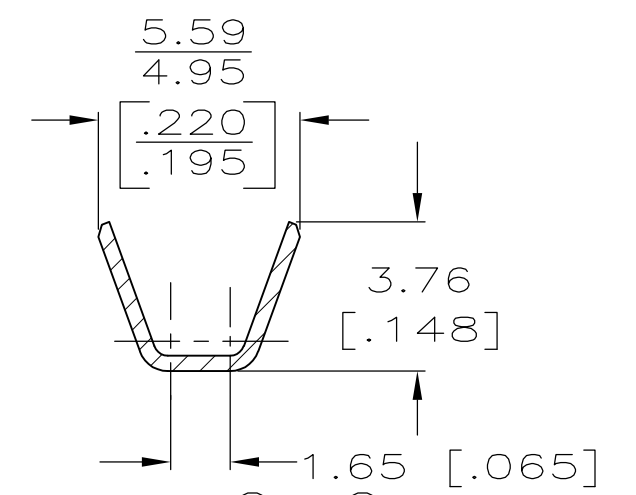


1 CONTINUOUS STRIP ON REELS.

VIEW A-A



SECTION B-B



SECTION C-C

TIN	1.52-2.54 [.060-.100] DIA	0.3-0.9mm ² [22-18] AWG	0.81 [.032]	62718-2 62718-1
FINISH	INSUL RANGE	WIRE SIZE	MATING TAB THK ± 0.025 [.001]	PART NO

THIS DRAWING IS A CONTROLLED DOCUMENT.		DWN JR RUTH 4/9/91	TE Connectivity RECEPTACLE, FASTON, FLAG, 6.35 [.250] SERIES			
DIMENSIONS: mm [INCHES]		CHK MS FEHER 4/9/91				NAME
TOLERANCES UNLESS OTHERWISE SPECIFIED:		APVD C MEYERS 4/9/91				PRODUCT SPEC
0 PLC ± - 1 PLC ± - 2 PLC ± - 3 PLC ± 0.38 [.015] 4 PLC ± - ANGLES ± -		APPLICATION SPEC				SIZE
MATERIAL BRASS	FINISH SEE TABLE	WEIGHT -	CAGE CODE A300779	DRAWING NO G-62718	RESTRICTED TO -	
CUSTOMER DRAWING			SCALE 5:1	SHEET 1 OF 1	REV G	